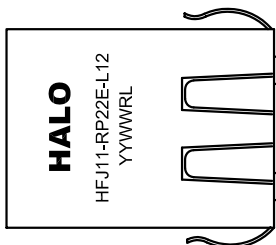


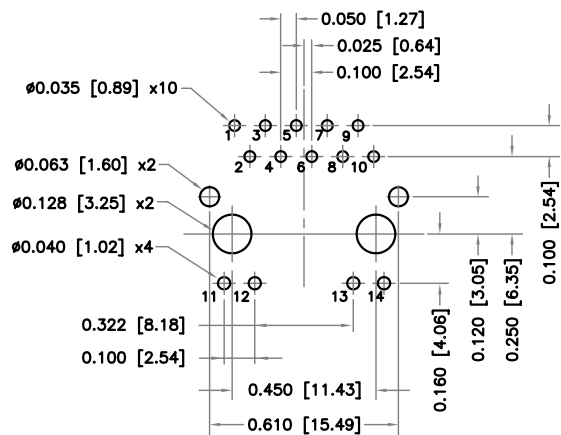
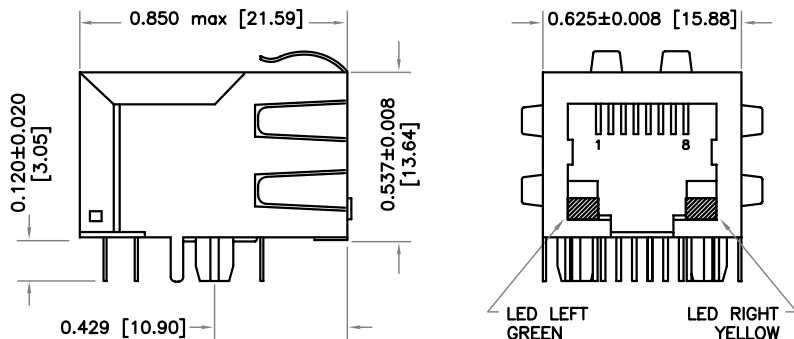


**PART NO. : HFJ11-RP22E-L12RL**

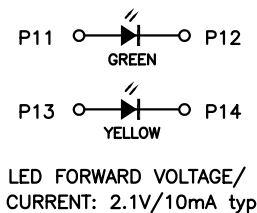
FASTJACK™ WITH 10/100BASE-TX MAGNETICS  
 LEAD-FREE/RoHS COMPLIANT  
 COMPATIBLE TO LEAD-FREE WAVE SOLDERING  
 PROCESS FOR THROUGH HOLE COMPONENTS  
 POWER ON USED OR UNUSED PAIRS FOR UP TO 350mADC  
 OPERATING TEMPERATURE 0 TO 55°C



Housing Material: Polyester, Black UL94V-0  
 Contacts: Phosphor Bronze 30µm Au plating over Ni  
 Leads: Matte Sn plating  
 Shield: Cu Alloy with Ni plating 40µm min  
 Durability: 1000 mating cycles  
 Dimensions: Inch [mm]  
 Tolerances: ±0.008 inch if not specified

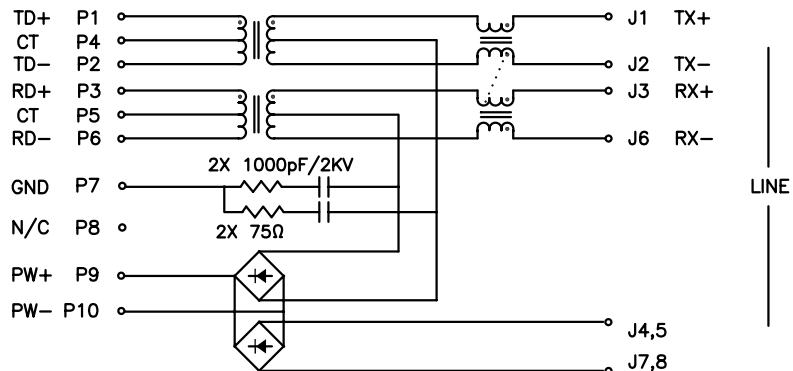


RECOMMENDED P.C. BOARD PATTERN (COMP. SIDE)



**ELECTRICAL SPECIFICATIONS @ 25° C**

TURNS RATIO OCL (100KHz,0.1Vrms,8mA) DCR P1-P2,P3-P6 INSERTION LOSS 0.1-100MHz RETURN LOSS 0.5-30MHz 40MHz 50MHz 60-80MHz CROSSTALK 0.1-100MHz CMR 0.1-30MHz 30-60MHz 60-100MHz ISOLATION	1CT:1 ±3% 350µH min 0.9Ω max -1.1dB max -18dB min -15.5dB min -13.6dB min -12dB min -38dB typ -50dB typ -40dB typ -30dB typ 1,500Vrms
---	---



**HALO/PBL**

CALIFORNIA, USA  
 KOWLOON, HONG KONG  
 SINGAPORE

TITLE	FastJack™ SINGLE	SIGNATURES	DATE	REV.	DESC.	DATE
FOR	FAST ETHERNET IEEE802.3af	DRAWN	PETER LU	11/2/05	A	
PART NO.	HFJ11-RP22E-L12RL	CHECKED				
SCALE	NONE	APPROVED				
PAGE	1 OF 1	FILE	RP22E-L12RL.DWG			